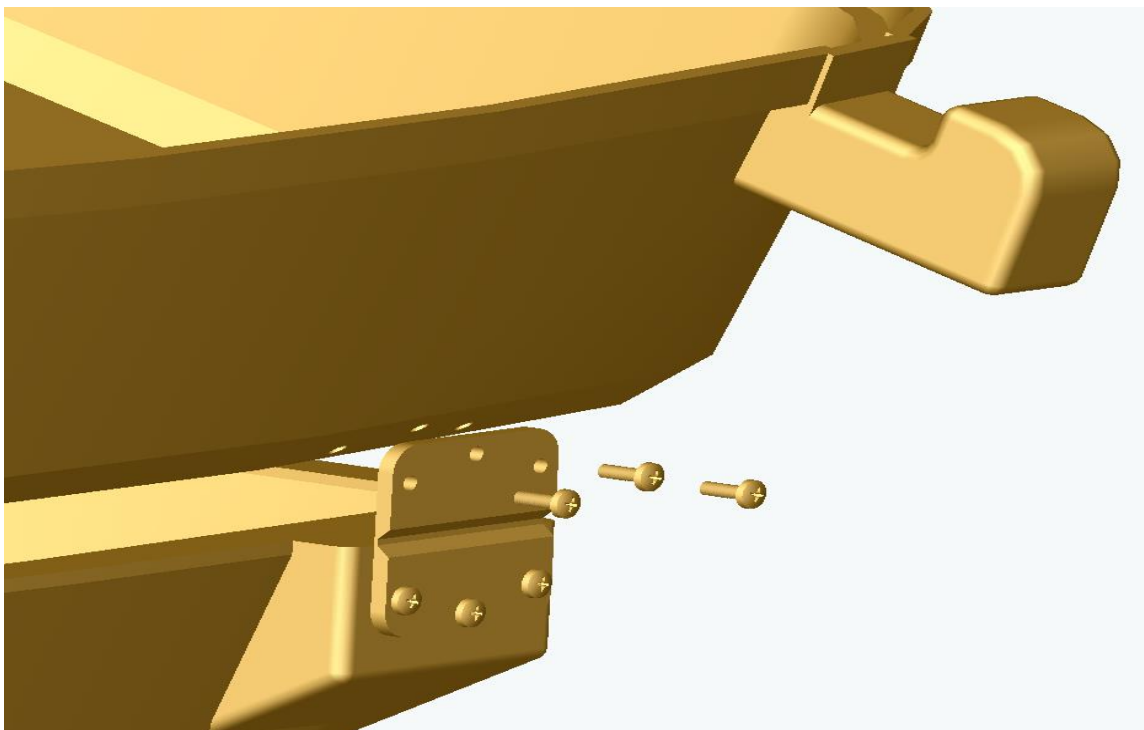


User's Manual for the Bio-Clean Model 2000 Parts Washer



To assembly unit, place basin on top of base and align hinges with holes provided in the basin bottom. Insert Philips screws provided through hinges, from outside the basin. Tighten provided lock nuts onto the screws inside the basin. Connect the supply hose to a water supply with hose and clamp provided. Fill parts washer base with an aqueous cleaning solution to a minimum of 2" above pump for proper operation.

Plug in power cord with attached ground fault interrupter to a 120 volt, 60 hz. power source.

TEST GROUND FAULT INTERRUPTER: Push "test" button. "Reset" should pop out. If so, reset and proceed. If not, do not continue! Call your Eco-Friendly representative or an electrician.

WARNING!

Use aqueous cleaning solutions only! Do not use flammable, combustible or caustic detergents. Use of such products could result in fire and damage to unit. Fluid flowing through spigot or brush may be hot to the touch. Do not use scrub brushes that may have been used in any other type of cleaning fluid. The thermostat is set at 105 degrees F. Do not change setting.

Adjust hoses so aqueous solution will be directed inside of basin, then turn switch on control box to "ON". You are now ready to wash parts.

The RED Low Fluid indicator will light when fluid drops below minimum level.

Shut heater off when not in use for any extended period of time.

THERE ARE NO USER SERVICEABLE PARTS IN BASE. REFER SERVICE TO QUALIFIED PERSONNEL